

RPU

RENEWABLE POWER UNIT



Airsynergy Hybrid Street Light with Built-in Rechargeable Energy Source. The complete renewable lighting package.

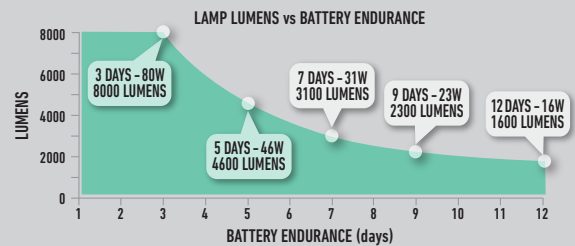
Urban environments and remote locations can now enjoy a permanent, renewable lighting solution completely free from an external power source.

The off-grid Airsynergy multi-purpose Renewable Power Unit (RPU), utilising Airsynergy's award winning technology, is the natural choice for providing independent light on roadways, walkways, parking lots and recreation areas and has added design capabilities to showcase company branding.

We believe it is the best-designed, most attractive renewable street light on the market.

Key Benefits

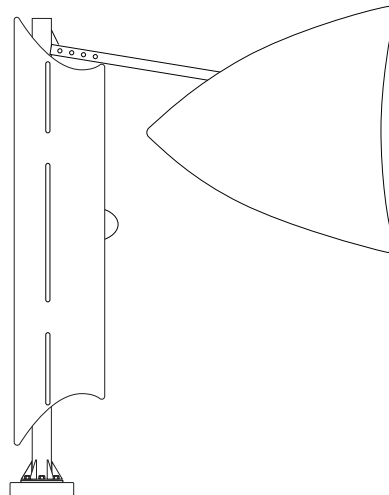
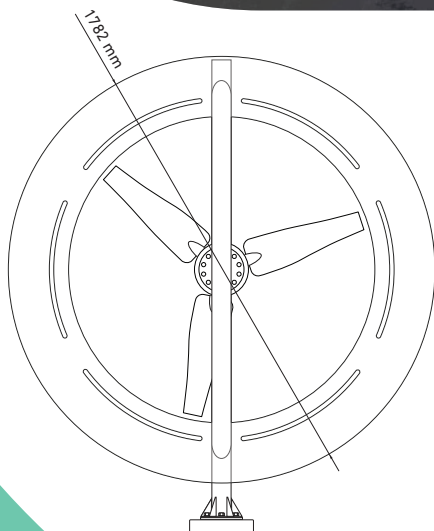
- Independent renewable power
- Reduced carbon emissions to help with sustainability targets
- Grid supported option
- Aesthetic design
- Standby storage for up to 12 days



- Rechargeable batteries and controller inside tower
- Smart power management for off peak lighting periods
- Ethernet port for simple networking
- No trenching costs - ducting or cabling not required
- Easy to install

Optional Extras

- Second light
- Second solar panel
- Advertising banner brackets
- Facility to add own branding on tower and fin
- Optional RAL colours for branding

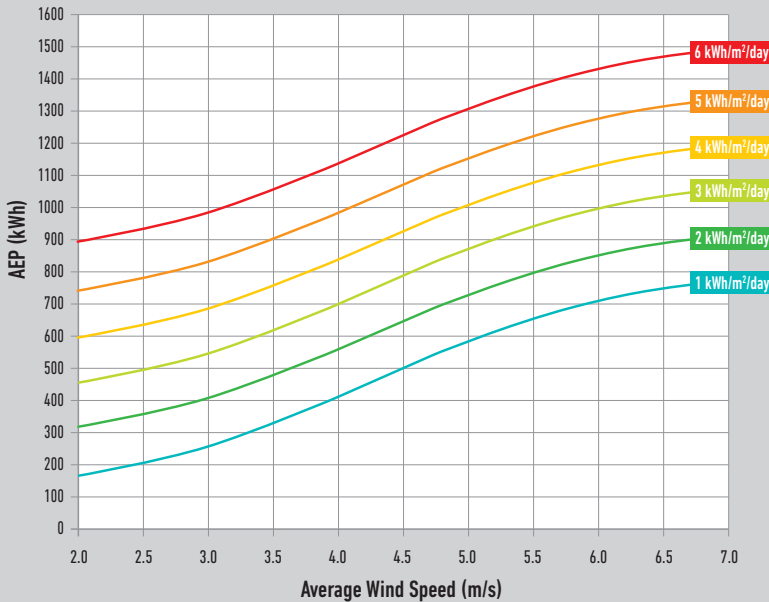


Airsynergy RPU technical specifications

Airsynergy's new hybrid wind and solar powered street light (RPU) utilises the company's award winning 'enhancement unit'

The RPU patented duct augmented wind turbine (DAWT) increases the velocity of the wind flowing past the blades to generate more power compared to a standard turbine.

AEP* WIND & SOLAR (TWO PANELS)



*AEP is produced when using two solar panels.

WIND ENERGY (Permanent Magnet Generator)

Rated Power Output	300 W
Rated Wind Speed	9 m/s
Cut In Wind Speed	2 m/s

SOLAR POWER

Number of Panels	1	2
Rated Power	260 W	520 W
Panel Size	1640 x 922 mm	

LED LIGHTING

Number of Lights	1	2
Wattage	80 W	160 W
Lumens	8000 +/- 400 lm	
Light Colour	Cold White	

CONTROLLER SYSTEM

Controller	Airsynergy Hybrid Controller
Output Voltage (to battery)	24 V
Location	Inside Pole

RECHARGABLE ENERGY SOURCE

Type	AGM Battery
Number	2
Total Capacity	264 Ah (C20)
Location	Inside Pole

TOWER

Material	Steel
Finish	Galvanised
Powder Coating	Optional RAL Colours

